

# 08015JE for Evaporator

# 80<sup>□</sup>X15<sup>L</sup>

## DC Axial Fan



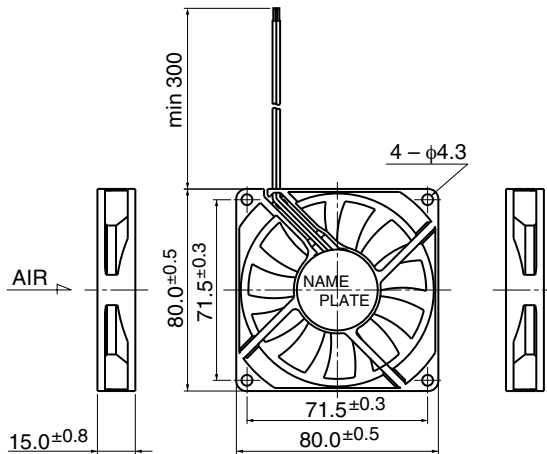
### General Specifications

Motor Protection	Auto Restart
Insulation Resistance	10M $\Omega$ or over with a DC500V Megger
Dielectric Withstand Voltage	AC700V 1s
Allowable Ambient	- 40°C ~ + 40°C (Operating)
Temperature Range	- 40°C ~ + 60°C (Storage)
	non-condensing environment

### Expected Life ※ Failure Rate: 10% (L10 Life)

-20°C 70,000 (Hours)

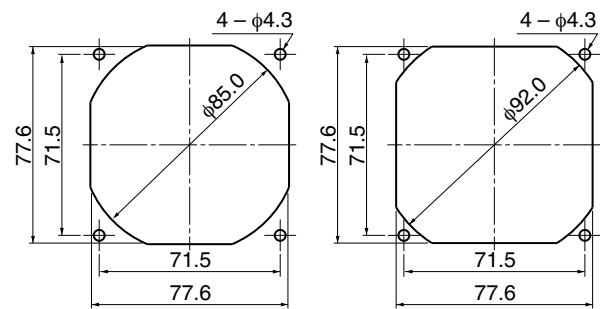
### Outline



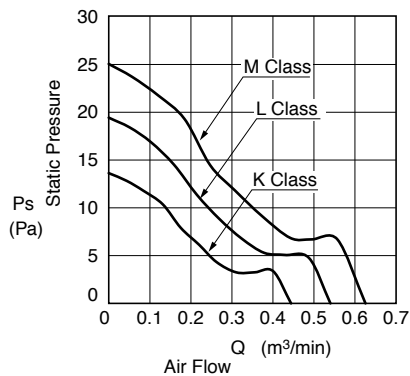
### Panel Out-cuts

(Inlet Side)

(Outlet Side)



### Characteristic Curves



### Material

Casing	: Plastic (Black) UL94V-0
Impeller	: Plastic (Black) UL94V-0
Bearing	: Ball Bearing
Lead Wire	: UL1007 AWG26 +: Red, -: Black

### Specifications

Model	Product No.	Rating Voltage	Operating Voltage	Current	Input Power	Speed	Max. Air Flow		Max. Static Pressure		Noise	Mass
		(V)	(V)				(m <sup>3</sup> /min) <sup>*1</sup>	(CFM) <sup>*1</sup>	(Pa)	(In H <sub>2</sub> O)		
08015JE-12K-BA-	F0	12	7.0 ~ 13.2	0.04	0.48	2000	0.44	15.7	13.4	0.05	23.5	55
08015JE-12L-BA-	F0			0.07	0.84	2400	0.54	19.1	19.2	0.08	28.0	
08015JE-12M-BA-	F0			0.10	1.20	2800	0.63	22.2	25.0	0.10	32.0	

Rotation: Clockwise as seen from the label side  
Airflow Outlet: Label side

\*1: Average Values in Free Air